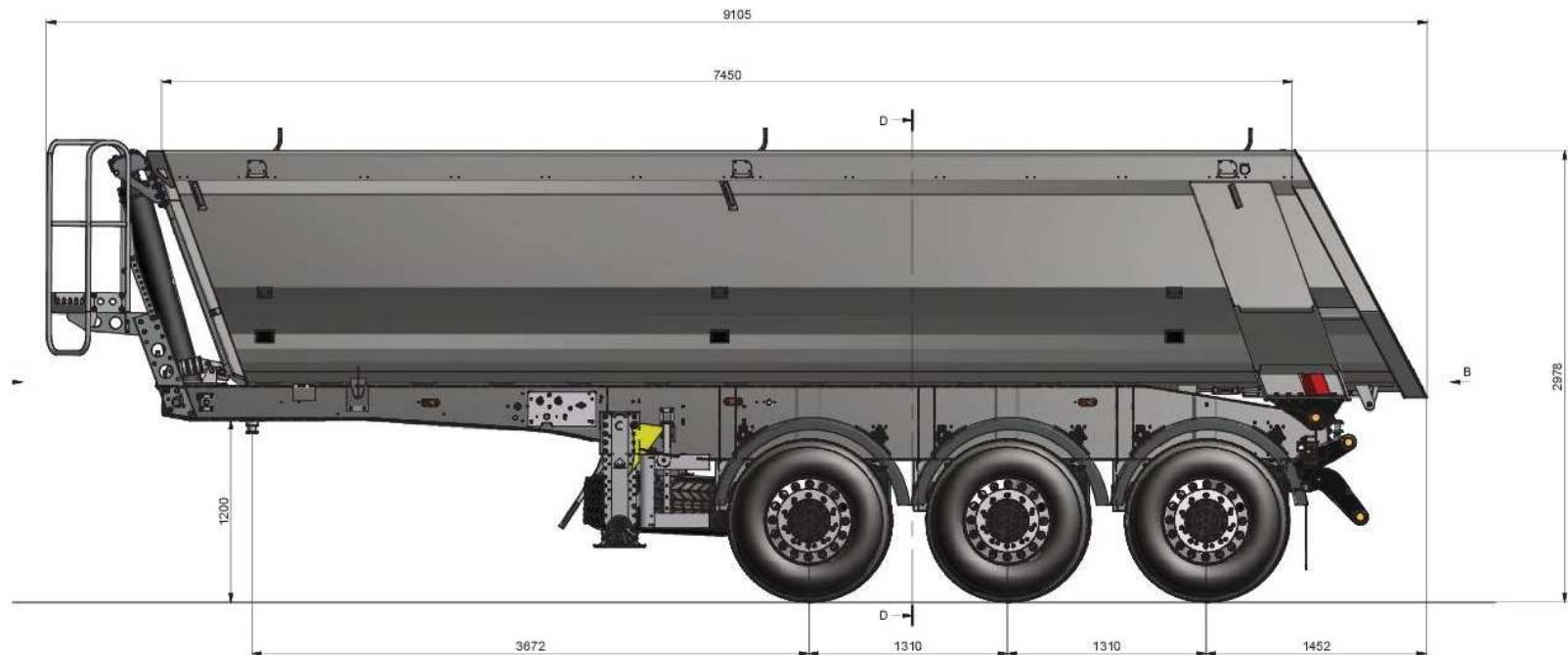
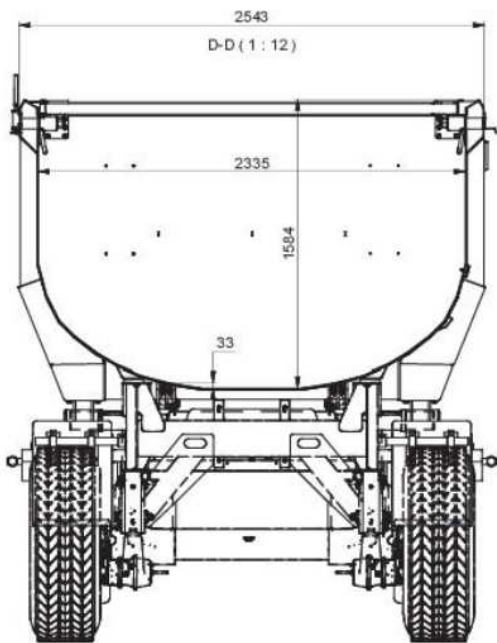


$V = 25 \text{ m}^3$, A: 9.105 mm, E: 2.978 mm, B: 7.450 mm, F: 1.584 mm



www.zaslaw-trails.pl / mail: info@zaslaw-trails.pl